



NAME OF INSURED/APPLICANT _____	POLICY/BINDER NO. _____
FULL ADDRESS _____	<input type="checkbox"/> PRIMARY <input type="checkbox"/> SEASONAL <input type="checkbox"/> SECONDARY

GENERAL

1. Make: _____ Manufacturer _____ Model _____ Yr. Built _____

2. Style: Franklin Pot Parlor Box Other _____

3. Construction: Cast Iron Steel Other _____

4. Approved By: Underwriter's Laboratory None Other _____

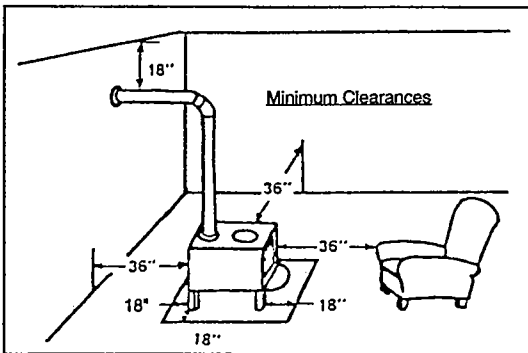
5. Installed By: Owner Contractor Other _____

6. Inspected By: Municipal Bldg. Insp. Fire Dept. Other _____

7. Is stove free of cracks or broken parts? Yes No _____

8. Use of stove: Only source of heat Suppl. Heat Source Other _____

9. Roof Type _____ Age _____ Condition _____

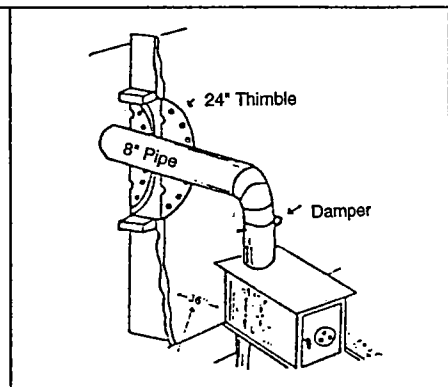


CLEARANCES

	Yes	No
1. Is stove located on non-combustible floor material?	<input type="checkbox"/>	<input type="checkbox"/>
2. Does floor protection extend as least 18" from side, back, and to the front?	<input type="checkbox"/>	<input type="checkbox"/>
3. Is stove spaced at least 36" from any combustible material?	<input type="checkbox"/>	<input type="checkbox"/>
4. Is there at least 18" between top of stove pipe and ceiling?	<input type="checkbox"/>	<input type="checkbox"/>

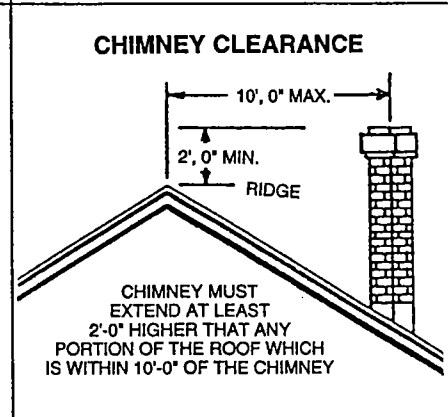
STOVE PIPE

	Yes	No
1. If stove pipe goes through wall or roof, is a thimble installed?	<input type="checkbox"/>	<input type="checkbox"/>
2. Does stove pipe fit snugly into thimble?	<input type="checkbox"/>	<input type="checkbox"/>
3. Is stove pipe routed so as not to pass through floors, closets, concealed space or connect to chimney in attic?	<input type="checkbox"/>	<input type="checkbox"/>
4. Does stove have an automatic draft regulator or built-in damper?	<input type="checkbox"/>	<input type="checkbox"/>
If not, does chimney have a damper located near the stove?	<input type="checkbox"/>	<input type="checkbox"/>



CHIMNEY

	Yes	No
1. Was chimney professionally installed?	<input type="checkbox"/>	<input type="checkbox"/>
2. If a metal chimney, is it of approved, triple insulated type?	<input type="checkbox"/>	<input type="checkbox"/>
3. If an exterior metal chimney, is it installed with a clearance of at least 6" from walls of combustible construction and at least 24" from any door, window or walkway?	<input type="checkbox"/>	<input type="checkbox"/>
4. If a masonry chimney, is the flue tile and mortar in good condition?	<input type="checkbox"/>	<input type="checkbox"/>
Also, is the termination height of the chimney at least 3' above the highest point where it passes through the roof and at least 2' above any portion of the building that is within 10' of the chimney?	<input type="checkbox"/>	<input type="checkbox"/>
5. Is the flue regularly inspected and cleaned to prevent creosote buildup?	<input type="checkbox"/>	<input type="checkbox"/>
6. Is there only one heating source for each flue?	<input type="checkbox"/>	<input type="checkbox"/>



IMPORTANT;

1. DISPOSE OF ASHES IN A CLOSED METAL CONTAINER AWAY FROM THE DWELLING.
2. ONLY DRY, WELL-SEASONED WOOD SHOULD BE BURNED IN YOUR WOODSTOVE.
3. HAVE YOUR CHIMNEY REGULARLY CLEANED AND MAINTAINED.
4. DON'T VENT STOVE INTO A CHIMNEY ALSO USED TO VENT CENTRAL HEATING SYSTEM.